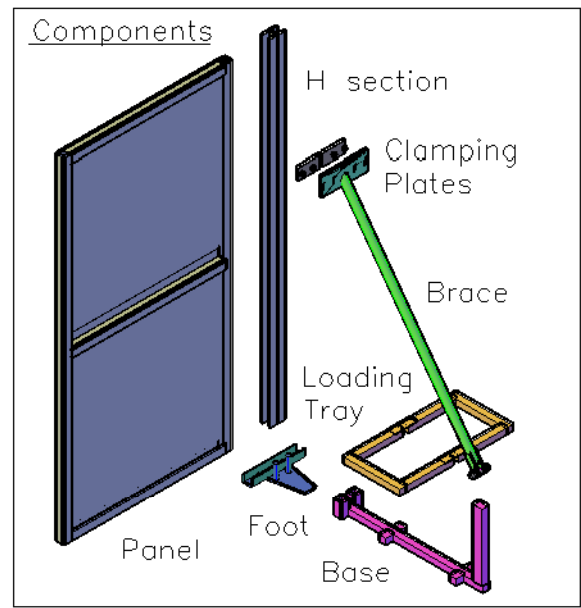
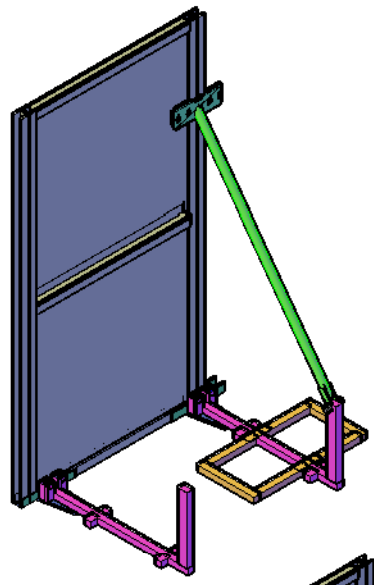
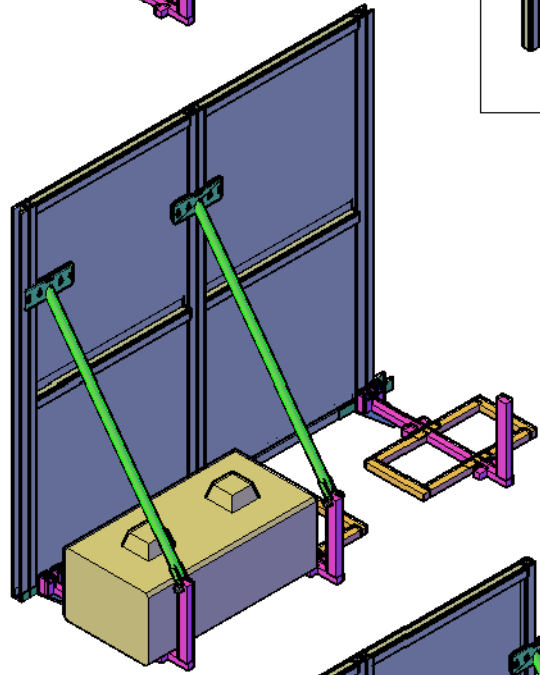


Position H section against wall, install foot flush to wall and install base. Slide panel into H section. On second section as above and brace and clamp as shown.



Position block flush against wall, brace and clamp first H section and repeat as above



and continue.....

Brace and clamp each panel after installing each concrete block

